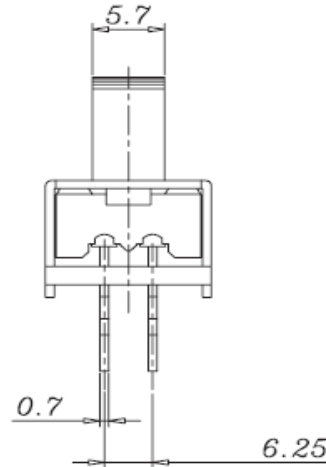
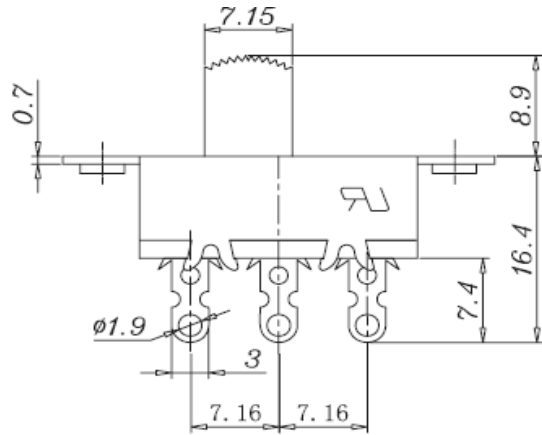


Slide Switch Extended Top Slide DPDT ON-ON

UPC: 010151542069

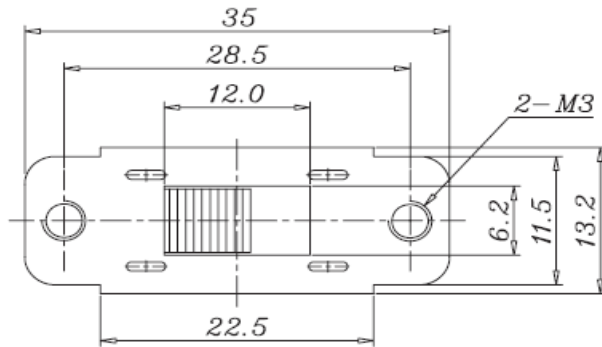
35-222

RoHS CERTIFIED



**6A 125VAC
3A 250VAC**

Solder Lug Terminals



Contact Rating : 6A 125VAC 3A 250VAC ()
 Initial Contact Resistance: 30 milliohms max.
 Insulation Resistance : 500 Megohms min. 500VAC
 Withstand Voltage : 1000VAC-1 minute
 Life Expectancy : 10,000 Cycles
 Operation : 500+200gf

HTS: 8536.50.9065
 CoO: Taiwan



www.gcelectronics.com